

発行整理番号
Issue NO. : T1LF-02055

発行日
Date of Issue : 2002年4月24日
April 24, 2002

発行区分
Classification: 新規 New 変更 Change 更新 Renewal

DIGI-KEY

納入仕様書

PRODUCT SPECIFICATION FOR INFORMATION

製品名称
Product Description : Line Filter

製品品番
Product Part Number : ELF18D6□□□

松下品番
Matsushita Part Number : ELF18D6□□□

適用(使用機種等)
Applications :

上記以外の適用に際しては、事前に弊社担当者までご連絡ください。
For other applications, contact our person signed below.

製造部署
Manufactured by : JAPAN / CHINA / SINGAPORE / INDONESIA

本仕様書の有効期間
Term of Validity : 発行日から 2007年4月23日 まで有効とします。
April 23, 2007 from the date of issue

お客様ご使用欄 CUSTOMER USE ONLY

この書類を確かに受領しました。
This was certainly received by us.

松下電子部品株式会社
LCRデバイスカンパニー
コイルストラテジックビジネスユニット
Matsushita Electronic Components Co., Ltd.
LCR Device Company
Inductive Products Strategic Business Unit
〒668-0298 兵庫県 出石郡出石町 田多地1番地
1, Tadachi, Izushi, Hyogo, 668-0298 Japan
電話(代表) (0796) 52-3181
Tel (0796) 52-3181(Representative)

発行部署名 Prepared by

但馬松下電器株式会社

Tajima Matsushita Electric Co., Ltd.

Tel (0796)52-3181
Fax (0796)52-5706

責任者 Approved	検印 Checked	担当者 Designed
<i>S. Homma</i>	<i>T. Oda</i>	<i>T. Hori</i>

1. この製品の使用材料は、「化学物質の審査及び製造等の規制に関する法律」に基づき、すべて既存化学物質として記載されている材料です。

All the materials used in this product are registered material under the Law Concerning the Examination and Regulation of Manufacture, etc. of Chemical Substances.

2. 本製品は、モントリオール議定書で規制されているオゾン層破壊物質(ODC)を製造工程及び購入部品・材料で一切使用していません。

This product has not been manufactured with any ozone depleting chemical controlled under the Montreal Protocol.

3. この製品に使用している全ての材料には、臭素系特定難燃物質「PBBOs、PBBs」を含有していません。

All the materials used in this product contain no brominated materials of PBBOs or PBBs as the flame-retardant.

4. 納入仕様書の「有効期間」について
有効期間は、特に、申し出のない限り(お客様の要望を含み)自動更新とします。
その際、連絡書・仕様書は、発行致しません。

"The Term of Validity" of Product Specifications for Information
Unless otherwise requested (including from customer), the term of validity shall be renewed automatically.

Then , informations and specifications shall be not issued.

SPECIFICATIONS

(R 0)

151-ELF18D620

Name

LINE FILTER

Customer's No

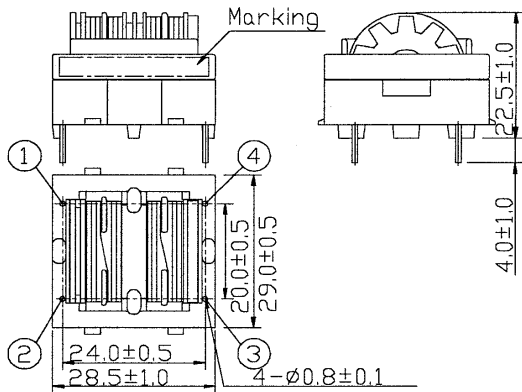
ELF18D6□□□

Matsushita Code

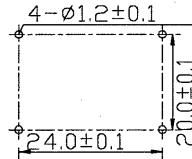
ELF18D6□□□

1 - 2

APPEARANCE & DIMENSIONS (Unit : mm)



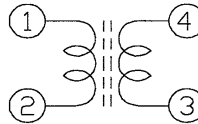
MOUNTING DETAILS



APPLICABLE SAFTY STANDERD (Reference)

- E.A.M.S Law of Japan (DENKI YOHN)
- UL 1270, 1409, 1410, 1492, 1950, 6500
- IEC 60065, 60950

CONNECTIONS



INSULATION DISTANCE

- Bobbin Thickness 0.8mm min.
- Base Thickness 0.7mm min.
- Space & Creepage Distance
 - Between Coil & Coil 3.2mm min.
 - Between Coil & Core 2.0mm min.

Wire type · Wire size: Refer to each SPEC
(151-ELF18D620 (2-2))

ELECTRICAL CHARACTERISTICS

- Operating Temperature Range : - 20 to 105 °C (Including Self-Temperature-Rise)
- Inductance (L1 & L2) : Refer to each Specifications (151-ELF18D620 (2-2))
- L1 & L2 Difference (|L1-L2|) : Refer to each Specifications (151-ELF18D620 (2-2))
- DC Resistance (RDC) : Refer to each Specifications (151-ELF18D620 (2-2))
- Rated Current (Ir) : Refer to each Specifications (151-ELF18D620 (2-2))
- Rated Voltage : 250 V [rms] max. (50Hz, 60Hz)
- Temperature-Rise : 45 K max. (Passing Ir for 3±1h)
- Insulation Resistance (IR) : 100MΩ min. (at DC500V between Coil & Coil and Coil & Core.)
- Withstanding Voltage : Shall withstand AC2000V for 1 minute applied between Coil & Coil and Coil & Core.
(For manufacture line , apply 120% of specified Voltage for 2 seconds instead of above conditions)
- Moisture Life : Appearance, Structure and Withstanding Voltage shall not be remarkably damaged after stored for 500±6 hours of exposure to 90 to 95% RH at 60±2°C with AC250V loaded between Coil and Coil and left for 1 hour in room conditions.
- Heat Life : Appearance, Structure and Withstanding Voltage shall not be remarkably damaged after stored for 500±6 hours at 85±2°C with AC250V loaded between Coil and Coil and left for 1 hour in room conditions.
- Thermal Shock : Appearance, Structure and Withstanding Voltage shall not be remarkably damaged after 5 cycles of storage at -25±3°C for 30 minutes and 85±2°C for 30 minutes left for 1 hour in room conditions.
- Cold Resistances : Appearance, Structure and Withstanding Voltage shall not be remarkably damaged after stored for 96±4 hours at -25±3°C and left for 1 hour in room conditions.
- Heat Resistance : Change of inductance shall be within ±15% and Appearance, Structure and Withstanding Voltage shall not be remarkably damaged after stored for 96±4 hours at 85±2°C and left for 1 hour in room conditions.
- Moisture Resistance : Change of inductance shall be within ±15% and Appearance, Structure and Withstanding Voltage shall not be remarkably damaged after stored for 96±4 hours exposure to 90 to 95% RH at 60±2°C and left for 1 hour in room conditions.

MECHANICAL CHARACTERISTICS

- Vibration Resistance : Appearance and Structure shall have no abnormality after vibration at the frequency varying uniformly between the approximate limits of 10 and 55 Hz and the amplitude of 1.5 mm for 2 hours in each of 3 mutually perpendicular directions.
- Terminal Strength : The terminal shall not be remarkably damaged by pulling and pushing of 10N {about 1.02kgf} for 30±5 seconds in the axis directions.
- Solderability : Solder shall be attached uniformly around the dipped portion after dipping into solder at 230±5°C for 2±0.5 seconds.
- Solder Heat Resistance: The electrical and mechanical characteristics shall not be deteriorated after dipping into solder at 270±5°C for 5±0.5 seconds up to 1.0 to 1.5 mm from attachment surface.

MARKING

- Product : Customer's Code (Refer to each SPEC) , Date Code of manufacture and Trade Mark (⊕ Mark) shall be indicated.
- Packing : Part Name , Product Code , Quantity and Specified Item shall be indicated.

CAUTION

The dropped product shall not be used. Do not input DC-bias to the product.
There is a risk of safety trouble due to a smoking or deformation if this product is used under the abnormal condition :
at 2 times of rated current in 2 minutes.

Apr.24.2002

No	Date	Revisions	Checked	Designed	Approved	Checked	Designed
					S. Ishikawa		
						Toda	

SPECIFICATIONS

(R O)
151-ELF18D620

Name

LINE FILTER

Customer's No

Matsushita Code

ELF18D6□□□

ELF18D6□□□

2 - 2

※ H Series #600 Type

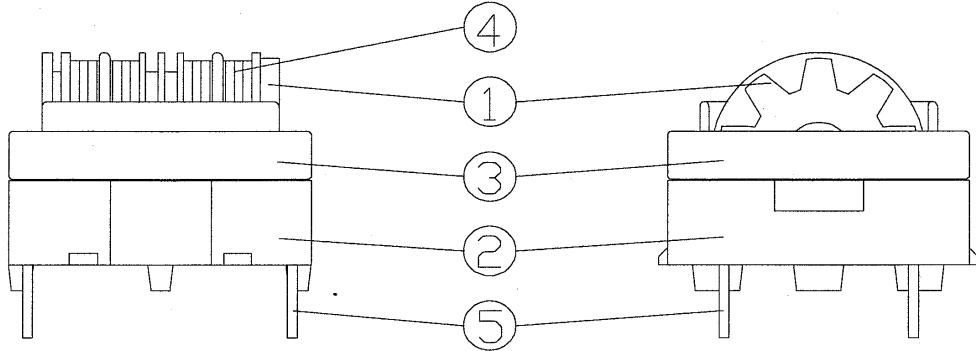
Customer's No.	Matsushita Code	Marking	L1&L2	L1&L2 Difference	DCR Resistance Ω (Tolerance ±20%) (at 20°C)	Rated Current A[rms] (50Hz) (60Hz)	Reference		Remarks
			mH min.	μH max.			Wire size	Turns	
			f=1kHz Vosc(rms)=0.1V				φ mm	2UEW	
ELF18D620	ELF18D620	ELF620	100.00	1,100	2.448	0.40	0.30	232	
ELF18D607	ELF18D607	ELF607	68.00	900	1.739	0.50	0.32	192	
ELF18D615	ELF18D615	ELF615	39.00	700	1.075	0.70	0.35	146	
ELF18D618	ELF18D618	ELF618	27.00	600	0.708	0.80	0.40	122	
ELF18D612	ELF18D612	ELF612	22.00	500	0.540	1.00	0.45	110	
ELF18D606	ELF18D606	ELF606	18.00	400	0.462	1.00	0.45	100	
ELF18D609	ELF18D609	ELF609	12.00	400	0.309	1.30	0.50	82	
ELF18D616	ELF18D616	ELF616	10.00	300	0.274	1.40	0.50	74	
ELF18D602	ELF18D602	ELF602	8.20	300	0.226	1.70	0.55	68	
ELF18D603	ELF18D603	ELF603	5.60	200	0.155	1.80	0.60	58	
ELF18D604	ELF18D604	ELF604	4.70	200	0.125	2.00	0.65	52	
ELF18D613	ELF18D613	ELF613	3.90	200	0.104	2.20	0.65	46	
ELF18D605	ELF18D605	ELF605	3.30	200	0.087	2.50	0.70	44	
ELF18D611	ELF18D611	ELF611	2.70	200	0.082	2.60	0.70	40	
ELF18D614	ELF18D614	ELF614	1.80	100	0.062	2.80	0.70	32	
ELF18D610	ELF18D610	ELF610	1.50	100	0.058	3.10	0.70	30	
ELF18D608	ELF18D608	ELF608	1.00	100	0.045	3.40	0.70	24	
ELF18D605F	ELF18D605F	ELF605F	47.00	650	1.045	0.70	0.35	142	
ELF18D624F	ELF18D624F	ELF624F	33.00	550	0.707	0.80	0.40	118	
ELF18D618F	ELF18D618F	ELF618F	27.00	500	0.515	1.00	0.45	106	
ELF18D606F	ELF18D606F	ELF606F	18.00	400	0.331	1.20	0.50	86	
ELF18D609F	ELF18D609F	ELF609F	12.00	300	0.226	1.60	0.55	68	
ELF18D601F	ELF18D601F	ELF601F	10.00	300	0.214	1.60	0.55	64	
ELF18D603F	ELF18D603F	ELF603F	5.60	200	0.111	2.10	0.65	48	
ELF18D604F	ELF18D604F	ELF604F	4.70	200	0.087	2.50	0.70	44	
ELF18D617F	ELF18D617F	ELF617F	2.20	100	0.058	2.80	0.70	30	

Apr.24.2002

No	Date	Revisions	Checked	Designed	Approved	Checked	Designed
					<i>[Signature]</i>	<i>[Signature]</i>	<i>[Signature]</i>

MATSUSHITA ELECTRONIC COMPONENTS CO.,LTD.

STRUCTURE



MATERIAL LIST

ITEM	PART NAME	MATERIALS	MANUFACTURE
1	Bobbin	Polypropylene Resin (2527 V-0 E50955)	CHISSO CORP.
2	Base	Phenolic Resin (PM-8315 V-0 E41429) (PM-9820 V-0 E41429) (CY-9610 V-0 E41404) (F5800F V-0 E46770)	SUMITOMO BAKELITE CO.,LTD. SUMITOMO BAKELITE CO.,LTD. MATSUSHITA ELECTRIC WORKS LTD. FUDOW CO.,LTD.
3	Core	Ferrite	OPTIONAL
4	Wire	Polyurethane Enameled Copper Wire	DAIICHI DENKO CO.,LTD. RIKEN ELECTRIC WIRE CO.,LTD. TOTOKU ELECTRIC CO.,LTD. JUNGSHING WIRE CO.,LTD. SUMITOMO ELECTRIC INDUSTRIES LTD. CHANGZHOU ZHONGSHAN WIRE&CABLE CO.,LTD. HITACHI CABLE LTD. etc.
5	Terminal	NLT Plating Copper-Ply-Wire	KYOWA ELECTRIC WIRE CO.,LTD.

INSULATION DISTANCE

ITEM	DIMENSIONS
Bobbin Thickness	0.8 mm min.
Base Barrier Thickness	0.7 mm min.
Space or Creepage Distance	Between Coil and Core 2.0 mm min.
	Between Coil and Coil 3.2 mm min.

WITHSTANDING VOLTAGE

ITEM	WITHSTAND VOLTAGE
Between Coil and Core	AC 2kV min.
Between Coil and Coil	for 1 minute.

標準書名 (Spec.)	納入仕様書 (添付資料) SPECIFICATION (Attached)	記号番号 (No) 151-LF-107
品名 (Name)	ラインフィルタ密番表示方法 LINE FILTER INDICATION METHOD OF DATE CODE	

1. 完成品 (Products)

・製造部署 (Manufacture)

日本国内 (共栄会社 : 橋本電機).....H	海外 (Overseas)
Domestic (HASHIMOTO ELECTRIC).....H	シンガポール (Singapore) / SINCOM..... G
	インドネシア (Indonesia) / SINCOM-BT..... Q
	中国 (China) / WWS W

例 : (Ex.)

↑	↑	↑	↑									
'01	1月	上旬	製造部署		GorQorW	↑	↑	↑				
('01)	(January)	(Period)	(Manufacture)		(overseas division)	('01)	(January)	(Period)				

∴ - 上旬 (1 ~ 10) ∴ - 中旬 (11 ~ 20) ∴ - 下旬 (21 ~ 末日)
∴ - (1 ~ 10) ∴ - (11 ~ 20) ∴ - (21 ~ END)

・年月表示 (Date Marking)

月 (month)	1	2	3	4	5	6	7	8	9	10	11	12
年 (year)												
'00	01	02	03	04	05	06	07	08	09	00	0N	0D
'01	11	12	13	14	15	16	17	18	19	10	1N	1D

2. 包装箱 (Packing Case)

日本国内 (共栄会社 : 橋本電機).....H	海外 (Overseas)
Domestic (HASHIMOTO ELECTRIC).....H	シンガポール (Singapore) / SINCOM..... G
	インドネシア (Indonesia) / SINCOM-BT..... Q
	中国 (China) / WWS W

<input type="checkbox"/>	<input type="checkbox"/>	<input type="checkbox"/>	<input type="checkbox"/>				
年	月	旬	部署	部署	年	月	旬
(Year)	(Month)	(Period)	(Manufacture)	(Manufacture)	(Year)	(Month)	(Period)

例 : (Ex.)

↑	↑	↑	↑									
'01	1月	上旬	生産部署		GorQorW	↑	↑	↑				
('01)	(January)	(Period)	(Manufacture)		(Manufacture)	('01)	(January)	(Period)				

1 : 上旬 (1 ~ 10) 2 : 中旬 (11 ~ 20) 3 : 下旬 (21 ~ 末日)
1 : (1 ~ 10) 2 : (11 ~ 20) 3 : (21 ~ END)

備考・改訂 (Remarks・Revision)

制定 '01年 6月 20日	松下電子部品株式会社 (Matsushita Electronic Components Co., Ltd.)	責任者 (Approve)	検印 (Checked)	担当者 (Design)
実施 '01年 6月 20日				